



## Port & Company® Improved Two-Tone Colorblock Tote B1510



This tote has simple style and budget-friendly value.

- 600 denier polyester with 420 denier dobby contrast
- Zippered opening, webbing handles with pen holder
- Curved exterior zippered pocket
- Dimensions: 13.75"h x 14"w x 4.25"d

Note: Bags not intended for use by children 12 and under. Includes a California Prop 65 and social responsibility [hangtag](#).

### COLOR



Black/ Black  
PMS 426 C



Blueprint Blue/ Black  
PMS 534 C



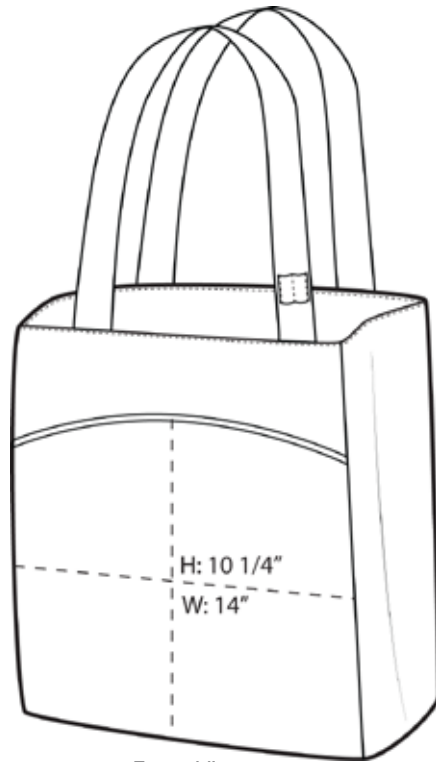
Engine Red/ Black  
PMS 7427 C



Passion Pink/ Black  
PMS 7612 C



Royal/ Black  
PMS 7684 C



Front View



Back View

Note: Best graphic placement should be per the embellisher/screen printer recommendations.